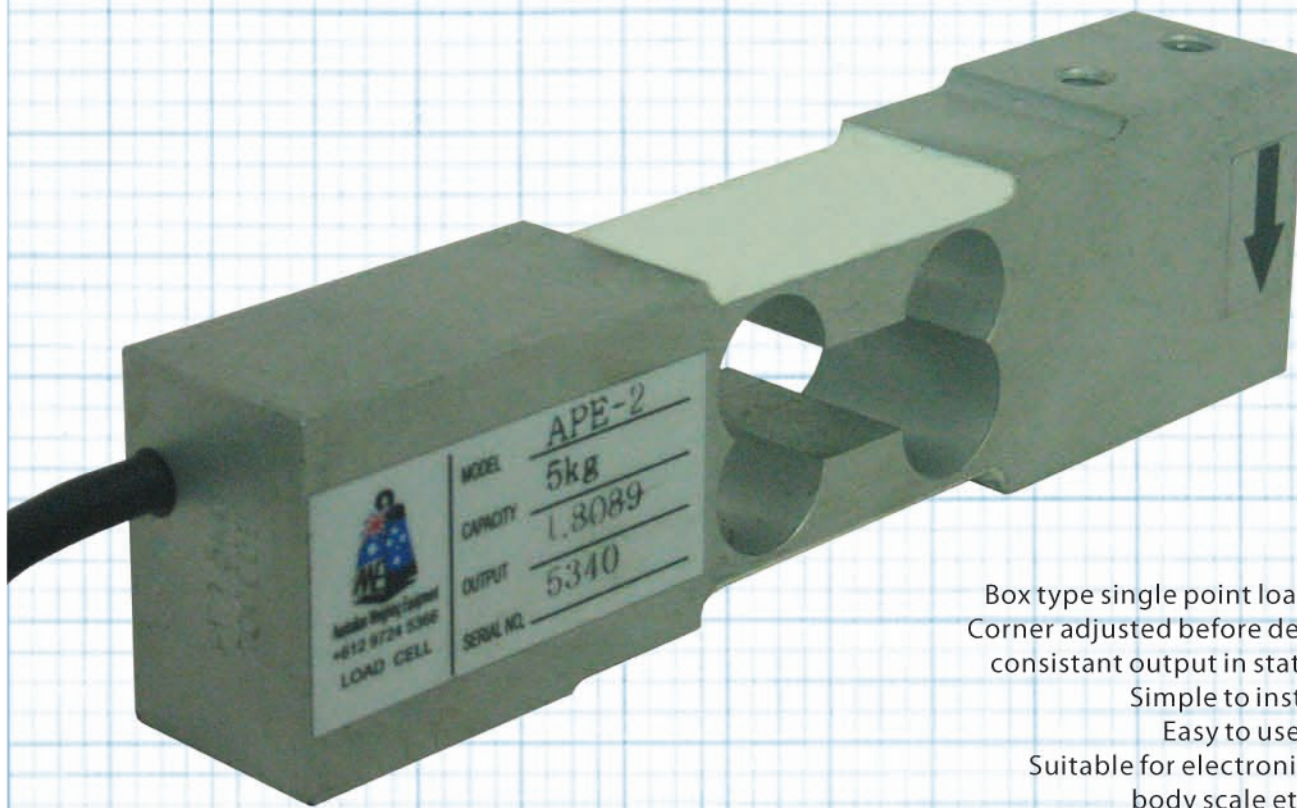



APE-2



LOADCELL
SERIES



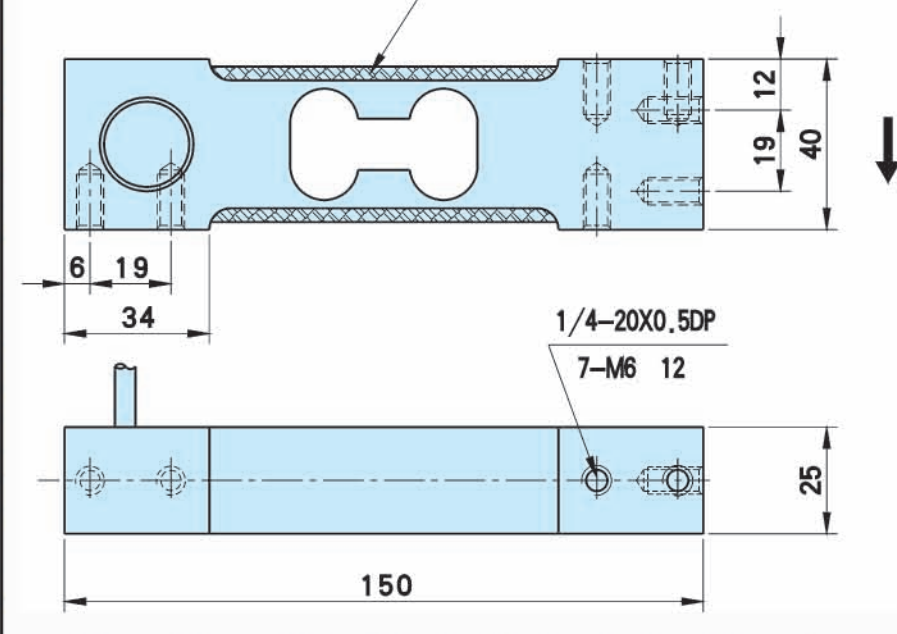

MODEL APE-2
CAPACITY 5kg
OUTPUT 1.8089
SERIAL NO. 5340
 Australian Weighing Equipment
 +612 9724 5366
 LOAD CELL

Box type single point loading structure
 Corner adjusted before delivery to ensure
 constant output in stated load plane
 Simple to install
 Easy to use
 Suitable for electronic platform,
 body scale etc...

DIMENSIONS

Capacity: 5,10,15,20,30,50,100,200 Lb
 3,5,10,15,20,30,50,100 Kg
 400 x 400 mm

MOISTURE PROOF SEAL



SPECIFICATIONS

Rated Output(mV/V)	2 ± 0.2
Nonlinearity	± 0.02%FS
Hysteresis	± 0.02%FS
Repeatability	± 0.01%FS
Creep(30minutes)	± 0.02%FS
Zero Balance	± 1.00%FS
Temperature Effect on Zero	± 0.02%FS/10 °C
Temperature Effect on Output	± 0.02%FS/10 °C
Input Resistance(Ω)	410 ± 10
Output Resistance(Ω)	350 ± 3
Insulation Resistance	≥ 5000M Ω
Excitation Voltage	10V(DC/AC)
Compensated Temperature Range	-10°C to +50°C
Operating Temperature Range	-20°C to +60°C
Safe Overload	120%FS
Cable	Φ 5× 3m
Cable Colour Code	Input: Red(+) Black(-) Output: Green(+) White(-)