



# AFRM-1120 Series, Solid-Ink Coding Continuous Sealer

AFRM-1120 series solid-ink coding continuous band sealer can seal all kinds of heat-sealable materials.



AFRM- 1120W Series  
Continuous Band Sealer  
(Horizontal)



AFRM-1120L Solid Ink  
Coding Continuous Sealer



AFRM-1120AL Solid Ink  
Coding Continuous Sealer  
(Vertical)



## AFRM-1120 Solid-Ink Coding Continuous Sealer

### AFRM-1120 Solid-Ink Coding Continuous Sealer Series

AFRM-1120 Sealer Series seals any thermoplastic material including PE, PPE, quickly & efficiently. The AFRM-1120 Sealer Series sealer can seal all types of plastic materials and bags, stand up pouches, gusseted bags, and moisture barrier bags.

This sealer can also be used in a wide array of fields such as: the food, medical, and cosmetics industries.

The AFRM -1120 Solid-Ink Coding Continuous Sealer provides a constant temperature control system and stepless speed adjusting transmission mechanism sealing various Plastic films

The AFRM -1120 Solid-Ink Coding Continuous Sealer is designed to print your desired designs simultaneously while sealing, the characters clear and conspicuous. You have a choice of stable colours for the printing ink. The AFRM-1120 Series is ideal for instant printing because the inks dry instantly, with strong adhesive. A coating cabinet can be attached as an option.

The adjustable head & conveyor of the AFRM-1120 Solid-Ink Coding Continuous Sealer Series, gives it the flexibility to work with your production line.

### The AFRM-1120 Series Has A Range Of Sealers



AFRM-1120AL Solid Ink Coding Continuous Sealer (Vertical)

AFRM-1120L Solid Ink Coding Continuous Sealer

AFRM- 1120W Series Continuous Band Sealer (Horizontal)

## The AFRM-1120L Continuous Band Sealer

AFRM-1120L series solid-ink coding continuous band sealer can seal all kinds of heat-sealable materials. Solid-ink coding device is designed to print the colored label on bag while sealing. If necessary, counting device can be equipped as well.

### What You Get With The AFRM-1120L Continuous Band Sealer

- ▶ Constant temperature control and stepless speed regulation.
- ▶ **Temperature and height of conveyor table are adjustable.**
- ▶ Solid-ink coding is characterized by high definition, various selectable colors, instant dry while printing, strong adhesive property.
- ▶ **Height of model FRM-1120' head is adjustable.**

### Application

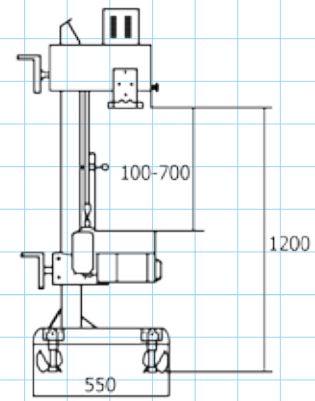
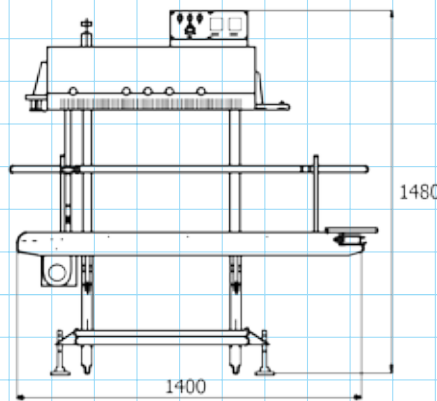
The AFRM-1120L Solid-Ink Coding Continuous Band Sealer, gives you a flexible print & sealing solution for your production, because of its adjustable machine head and conveyor table's height.



AFRM-1120L Solid Ink  
Coding Continuous Sealer



## The AFRM-1120L Continuous Band Sealer Sealer Dimensions



All sizes in mm

## AFRM-1120L Series Continuous Band Sealer Specifications

Model	AFRM-1120L	AFRM-1120LD	AFRM-1120AL/SM
Description	Solid-ink coding continuous band sealer	Solid-ink coding continuous band sealer	Solid-ink coding continuous band sealer with 2 sets of heating blocks
Sealing Speed (m/min)	0-10m/min		8m/min
Sealing Width (mm)	8 - 10		
Temperature Range (°C)	0 - 300 (Stepless adjustable)		
Printing Type	Solid Ink		
Distance From Sealing Center to the Conveyor Table (mm)	100-500mm	100 - 700mm	270-530mm
Size of Conveyor Table (L×W)(mm)	1400 x 250mm		2022 x 300mm
Thickness of Film (monolayer)	≤0.12mm		
Max. Conveyor Loading for Single Bag (kg)	≤5kg		≤10kg
Overall Loading of Conveyor (kg)	≤15kg		≤30kg
Voltage (V/Hz)	AC 240V/50Hz		
Motor Power (W)	230W		550W
Sealing Power (W)	300 x 2W		300 x 4W
Printing Heating Power(W)	40 x 2W		
Dimension (L×W×H) (mm)	1450 x 680 x 1480mm		1950 x 550 x 1100mm
Net Weight(kg)	150kg	105kg	100kg

## The AFRM-112AL Continuous Band Sealer

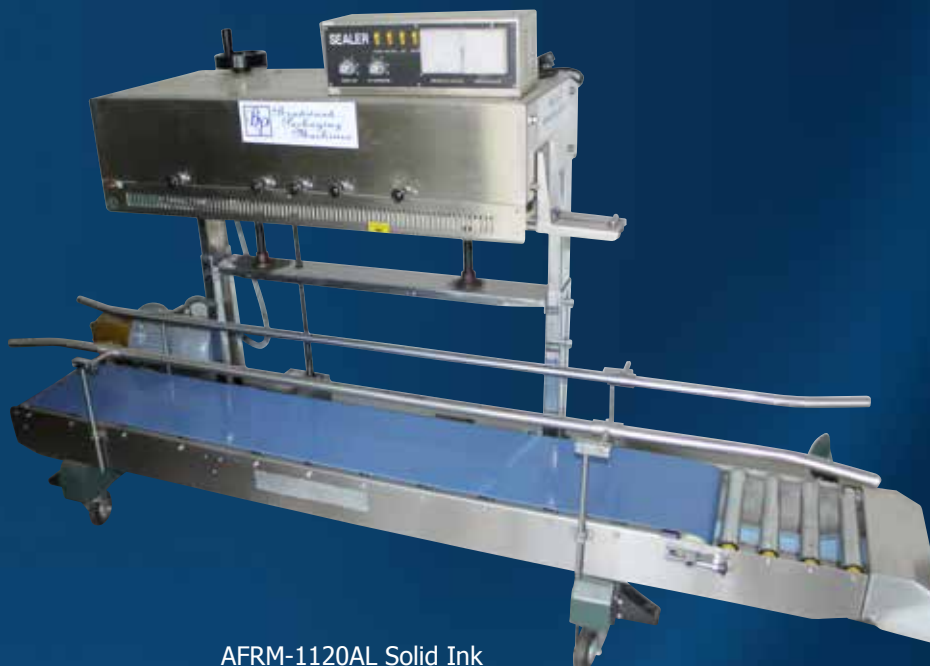
AFRM-1120AL series heavy-duty continuous band sealer are specially designed to seal bags made from thick film. Model AFRM-1120AL/ST is designed to be used in a production line.

### Application

AFRM-1120AL series heavy-duty continuous band sealers are suitable for sealing bags weigh under 5kgs, 10kgs & 20kgs respectively.

## What You Get With The AFRM-112AL Continuous Band Sealer

- ▶ Continuous band sealer with 2 sets of heating blocks
- ▶ Constant temperature control and stepless speed regulation.
- ▶ Temperature and height of conveyor table are adjustable.
- ▶ Solid-ink coding is characterized by high definition, various selectable colors, instant dry while printing, strong adhesive property.
- ▶ Height of model AFRM-1120AL' head is adjustable.



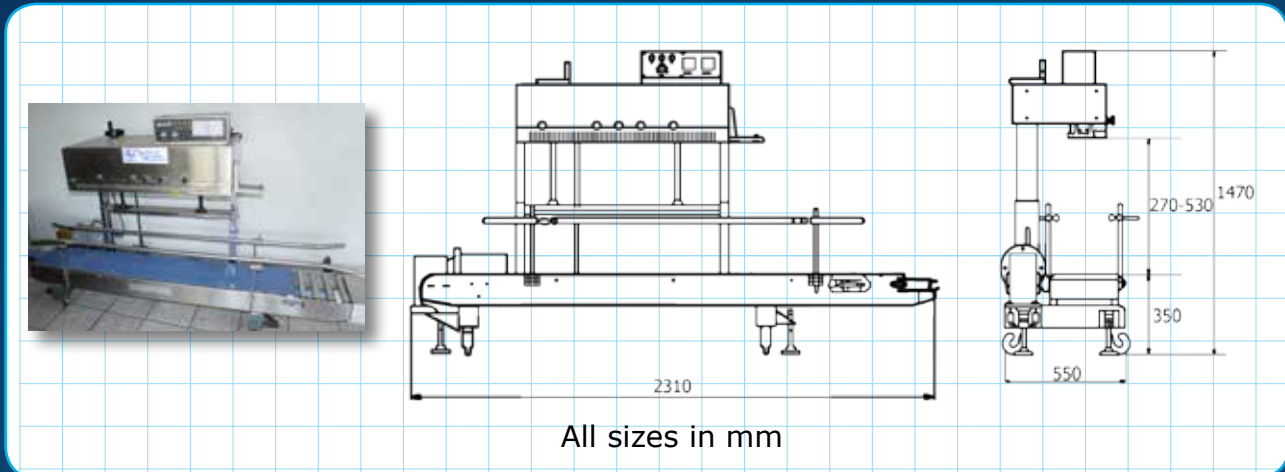
AFRM-1120AL Solid Ink  
Coding Continuous Sealer





# AFRM-1120 Solid-Ink Coding Continuous Sealer

## The AFRM-112AL Continuous Band Sealer Dimensions



All sizes in mm

## AFRM-112AL Series Continuous Band Sealer Specifications

Model	AFR-1120AL/S	AFR-1120AL/SD	AFR-1120AL/ST	AFR-1120AL/SL
Description	Continuous band sealer with 2 sets of heating blocks	Continuous band sealer with 2 sets of heating blocks	Continuous band sealer with 2 sets of heating blocks	Heavy-duty continuous band sealer with 2 sets of heating blocks
Sealing Speed (m/min)	0-10m/min	0-10m/min	0-10m/min	8m/min
Sealing Width (mm)	8 - 10			
Temperature Range (°C)	0 - 300 (Stepless adjustable)			
Distance From Sealing Center to the Conveyor (mm)	100-500mm	100-700mm	–	450-490mm
Adjustable distance from machine head to floor	–	–	1300mm	–
Size of Conveyor Table (L×W) (mm)	1400 x 250mm	1400 x 250mm	–	2400 x 350mm
Thickness of Film (monolayer)	≤0.12mm	≤0.18mm	≤0.18mm	≤0.18mm
Max. Conveyor Loading for Single Bag (kg)	≤5kg	≤10kg	–	≤25kg
Overall Loading of Conveyor (kg)	≤15kg	≤130kg	–	≤75kg
Voltage (V/Hz)	AC 240V/50Hz			
Motor Power (W)	230W	230W	230W	750W
Sealing Power (W)	300 x 4W			
Dimension (L×W×H) (mm)	1450 x 680 x 1480mm	2190 x 550 x 1210mm	1125 x 620 x 1680mm	2430 x 740 x 1450mm
Net Weight (kg)	100kg	110kg	60kg	120kg

## The AFRM-1120W Continuous Band Sealer

AFRM-1120W is designed to quickly and efficiently seal any thermoplastic material including PE, PPE, stand up pouches, gusseted bags, and moisture barrier bags. This sealer is suitable for sealing all types of plastic materials and bags. This sealer can also be used in a wide array of fields such as: the food, medical, and cosmetics industries. It is one of the finest band sealing machines at an economical price.

### What You Get With A AFRM-1120W Continuous Band Sealer

- ▶ Durable stainless steel construction
- ▶ **Tilting seal head, which allows the machine to tilt up to 30 degrees**
- ▶ Suitable for any product including liquids
- ▶ **Solid state temperature controller that maintains the seal bars at a proper temperature for consistent seal quality**
- ▶ Fully adjustable conveyor (both the conveyor height and depth in relation to seal bars can be adjusted)
- ▶ **Dry ink coding allows for printing on the seal line**
- ▶ Unit feeds from Right to Left
- ▶ **Spare Kit includes: PC board, Teflon belt, wheel belt, carbon brush, element, & typeset**

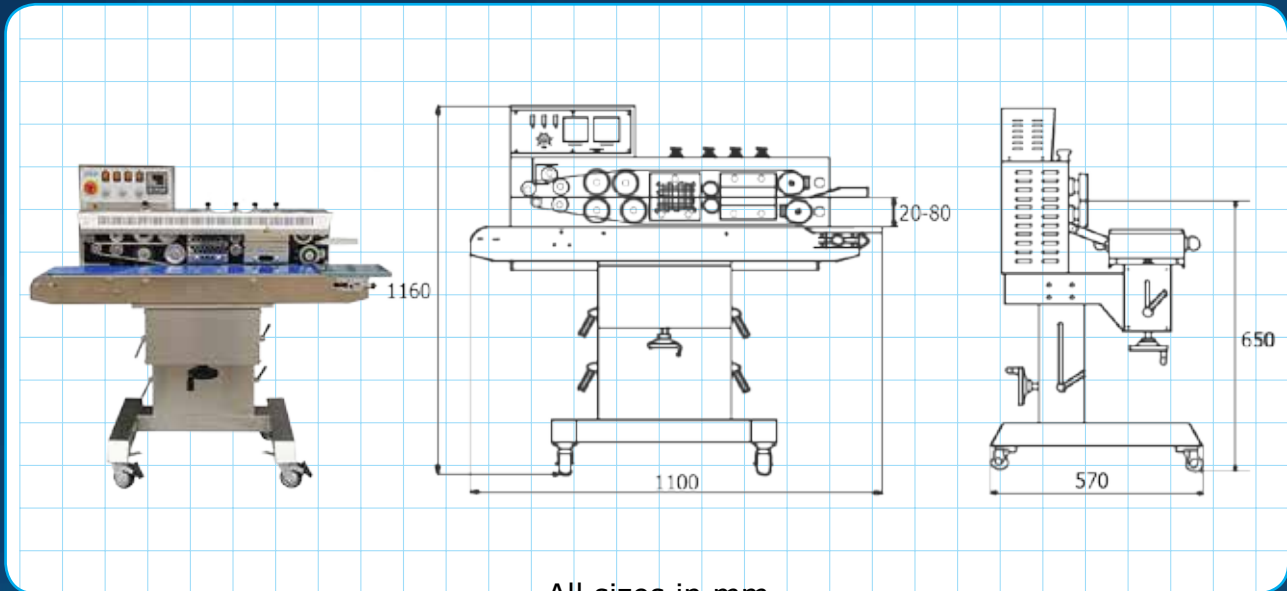


AFRM- 1120W Series  
Continuous Band Sealer



# AFRM-1120 Solid-Ink Coding Continuous Sealer

## The AFRM-1120W Continuous Band Sealer Dimensions



All sizes in mm

## AFRM-1120W Continuous Band Sealer Specifications

Model	AFRM-1120	AFRS-1120W
Description	Solid-ink coding continuous band sealer	Color ribbon printing continuous band sealer
Sealing Speed (m/min)	0-10	
Sealing Width (mm)	8 – 10mm	
Temperature Range (°C)	0-300 ( Stepless adjustable)	
Printing Type	Solid-Ink	Colour Ribbon
Distance from Sealing Center to the Conveyor Table (mm)	20-80	
Size of Conveyor Table (L×W) (mm)	1100×205	
Thickness of Film (monolayer)	≤0.12mm	
Max. Conveyor Loading for Single Bag (kg)	≤ 2.5kg	
Overall Conveyor Loading (kg)	≤ 7.5kg	
Voltage (V/Hz)	AC 240V/50Hz	
Motor Power (W)	100	
Sealing Power(W)	300×2	
Printing Heating Power (W)	40×2W	50 x 2W
Dimension (L×W×H) (mm)	1100 x 610 x 1030mm	1100 x 570 x 1160mm
Net Weight(kg)	85	





## Who is Australian Weighing Equipment & Bradwood Packaging

Jeff & Trevor Baillie started AWE in 1981, focusing on weighing solutions based on engineering principles. For the last 30 years AWE has built its reputation as a leading supplier of robust Packaging & Bulk Handling Equipment. Our innovative engineering, and continuous product improvement have led to designs that will stand up to the rigours and demands your product line will throw at it.

Bradwood Packaging's bulk handling & packaging equipment can reduce or eliminate the need to manually perform repetitive tasks of filling, packaging and palletising.

We know that one size does not fit all. If our 'Out-of-the-box' equipment does not suit your needs, then talk to us about a custom solution. We are ready & able to engineer a cost effective design based on our 30+ years experience.

The biggest compliment we hear is, "Your packaging equipment is Over-Engineered". Our response: "Bradwood Packaging knows most packaging equipment operates in a harsh environment. They cop a pounding".

We must engineer to survive these conditions. Bradwood Packaging understands our reputation depends on this. So we prefer to build our packaging equipment based on our experience to anticipate and cope with the harsh conditions of factory life.

Bradwood Packaging's bulk handling & packaging equipment is built to "Our Standards" to Protect Your Investment.

Based on this experience, we're constantly called in, to consult on setting up product lines, tailored to suit unique packaging and bulk handling applications.

## AWE Investment in the Future

To help provide a seamless packaging solution, AWE has just increased its investment in our manufacturing facilities now giving us over 3,200 square metres of factory in Sydney with

- ▶ A CNC Machine Shop
- ▶ Heavy Metal Fabrication Shop
- ▶ Plus further room for our team of qualified tradesman

Acquisitions of Bradwood Packaging, Dendy Packaging and Design Engineering increased our packaging and engineering experience.

In 2008, AWE established a manufacturing facility in China - Bradwood Packaging and Bulk Materials Handling Equipment.

Bradwood Packaging and Bulk Materials Handling Equipment, currently occupies a purpose built 2,300m<sup>2</sup> factory in Suzhou China (70kms From Shanghai).

All Equipment is Australian designed and manufactured under Bradwood Packaging's strict quality control system in our own factories both locally and internationally.



## AFRM-1120 Solid-Ink Coding Continuous Sealer

### Bradwood Packaging Guarantee

Bradwood Packaging supply and backup what they sell - That's a Guarantee from the manufacturer. **The directors stand by all the equipment sold by Bradwood Packaging, if it's not suitable, or doesn't work, then we will fix it, replace it or you don't pay.**

To deliver on our commitment of providing quality, reliable packaging and bulk handling equipment, Bradwood Packaging understands it's more than just delivering a well built & designed packaging machine. It also requires a team of dedicated people who care and are there to back you up with great Service & Support.

The quality of our team sets us apart. Most companies choose to outsource these services to contractors, or buy machinery from overseas as a so called agent. They do not have the knowledge base to support or maintain this equipment long term.

Bradwood Packaging's solutions are designed to fit your factory systems, to do this requires a team of professionally trained tradesmen.

When Bradwood Packaging starts building your equipment, an army of skilled tradesmen engineers, draftsmen are on the job.

### We're Talking About

- ▶ Licensed Tradesmen
- ▶ Mechanical Engineers
- ▶ Electrical Engineers
- ▶ Structural Engineers
- ▶ Draftsmen
- ▶ Fitter & Turners
- ▶ Boilermakers
- ▶ Fully Qualified Scale Makers
- ▶ Electronic Technicians
- ▶ Instrument Fitters
- ▶ Electricians
- ▶ Service Technicians
- ▶ Project Managers
- ▶ Formworkers
- ▶ Concreters

They are all led by your own personal project manager assigned to make your project run smoothly. Which means there's one point of contact, you won't get the run around. They're responsible for managing the design team, installation, commissioning and documenting your project.

### Reliability

Bradwood Packaging's bulk materials handling and packaging equipment is designed for Australian conditions and a lifetime of heavy duty filling, bagging & packing. Our proven and robust designs are engineered and manufactured in-house to the highest standards to provide our customers with a lifetime of reliable and accurate service.

In the unlikely case of breakdown, we know downtime is costly and service is required, quickly with accurate attention.

**Bradwood Packaging's Service Technicians Are On Call 24/7 , Because We Know Breakdowns Don't Always Happen In Business Hours.**

The service guys are there when you need them. When your line goes down, 5.00pm on a Friday, you need technicians to turn up. If you need them at 11pm Saturday, they will be there. That's a promise, because we stand behind our equipment.



# So If You Have Questions About Factory Layout And Packaging Equipment, Bulk materials handling or componentry Then Talk To Bradwood Packaging & Packaging Machinery About Our Solutions

Bradwood Packaging & Packaging Machinery prides itself on providing plain english proposals, there's no hidden surprises. You'll know what you're getting.

Bradwood Packaging & Packaging Machinery manufactures filling, sealing to palletising lines, as well as designing complete plant lines.

So if you have questions about factory layout and packaging equipment, then talk to Bradwood Packaging & Packaging Machinery about our solutions.

Call or email us today and find out how our sales team and project engineers can assist you in finding the best Packing & Bagging solution for your needs.

## Companies in the AWE Group



Australian Weighing Equipment P/L



All State Machining



Rite-Weigh Scales P/L



Dendy Packaging (Australia)



Bradwood Packaging and Bulk Materials Handling Equipment

### Australian Weighing Equipment Sydney Office

16 Kerr Road  
Ingleburn NSW 2565  
PH: (+61) 2 8717 3333  
Email: sales@awe.com.au  
www.awe.com.au

### Rite-Weigh Scales Melbourne Office

37 Barrie Road  
Tullamarine, VIC, 3043  
Ph: (+61) 3 9330 1011  
Email: sales@rite-weigh.com.au

### Bradwood Packaging P/L

52-56 Mandarin Street  
Fairfield East, Australia NSW 2165  
PH: (+61) 2 8717 3355  
Email: sales@awe.com.au

### Rite-Weigh Scales Brisbane Office

7 Darnick Street,  
Underwood, QLD, 4119  
Ph: (+61) 7 3423 1388  
Email: sales@rite-weigh.com.au



Visit AWE Group YouTube channel at [www.youtube.com/user/AustWeighing](http://www.youtube.com/user/AustWeighing) where you can watch videos, on our products and services in action. You'll see our new product releases On Industrial Weighing Systems, Packaging Machinery & Bulk Handling Solutions



Sydney



Melbourne



Brisbane

## Dealer's Information:

For Links to AWE Website please scan your smartphone here

